

TPL5010DDCR Texas Instruments

XT-ShenZhen is a professional leader China TPL5010DDCR Texas Instruments supplier with high quality and reasonable price.

TPL5010DDCR Texas Instruments is an ultra-low-power timer designed and manufactured by Texas Instruments (TI), one of the world's largest manufacturers of electronic components. It has the characteristics of low power consumption and high performance, and is mainly used in Internet of Things (IoT) systems, consumer electronics, etc. At present, the market demand is very large. Welcome new and old customers to continue to cooperate with XT-ShenZhen® to

create a better future together!

TPL5010DDCR Texas Instruments is an ultra-low-power timer designed and manufactured by Texas Instruments (TI), one of the world's largest manufacturers of electronic components. It has the characteristics of low power consumption and high performance, and is mainly used in Internet of Things (IoT) systems, consumer electronics, etc. At present, the market demand is very large. For more information on electronic components, please contact us!!! Welcome new and old customers to continue to cooperate with XT-ShenZhen® to create a better future together!

Product description

The TPL5010DDCR Texas Instruments Nanowatt-class timer is an ultra-low-power timer with watchdog functions designed for system wake-up in duty cycle, and battery-powered applications such as those in the Internet of Things. Many of these applications require the use of μC , so it is often desirable to maintain μC in a low-power mode to maximize current savings while waking up only at certain time intervals to collect data or service interrupts. Although the μC 's internal timer can be used for system wake-up, it may separately consume several microamps of the total system current.

The TPL5010DDCR Texas Instruments consumes only 35nA and replaces the functionality of the integrated μC timer. This puts the μC into a much lower power mode, turns off the internal timer, and returns only to active mode when interrupted by the TPL5010DDCR.

By providing nearly two orders of magnitude of power savings, the TPL5010DDCR can significantly reduce the battery size used in energy harvesting or wireless sensor applications.

Shenzhen Zhen Rong Era Supply Chain Management Co., Ltd.

Tel:+86-755-83240078

E-mail:jack-sellandbuycomponents@xt-shenzhen.cn

Phone:+86-13927462033

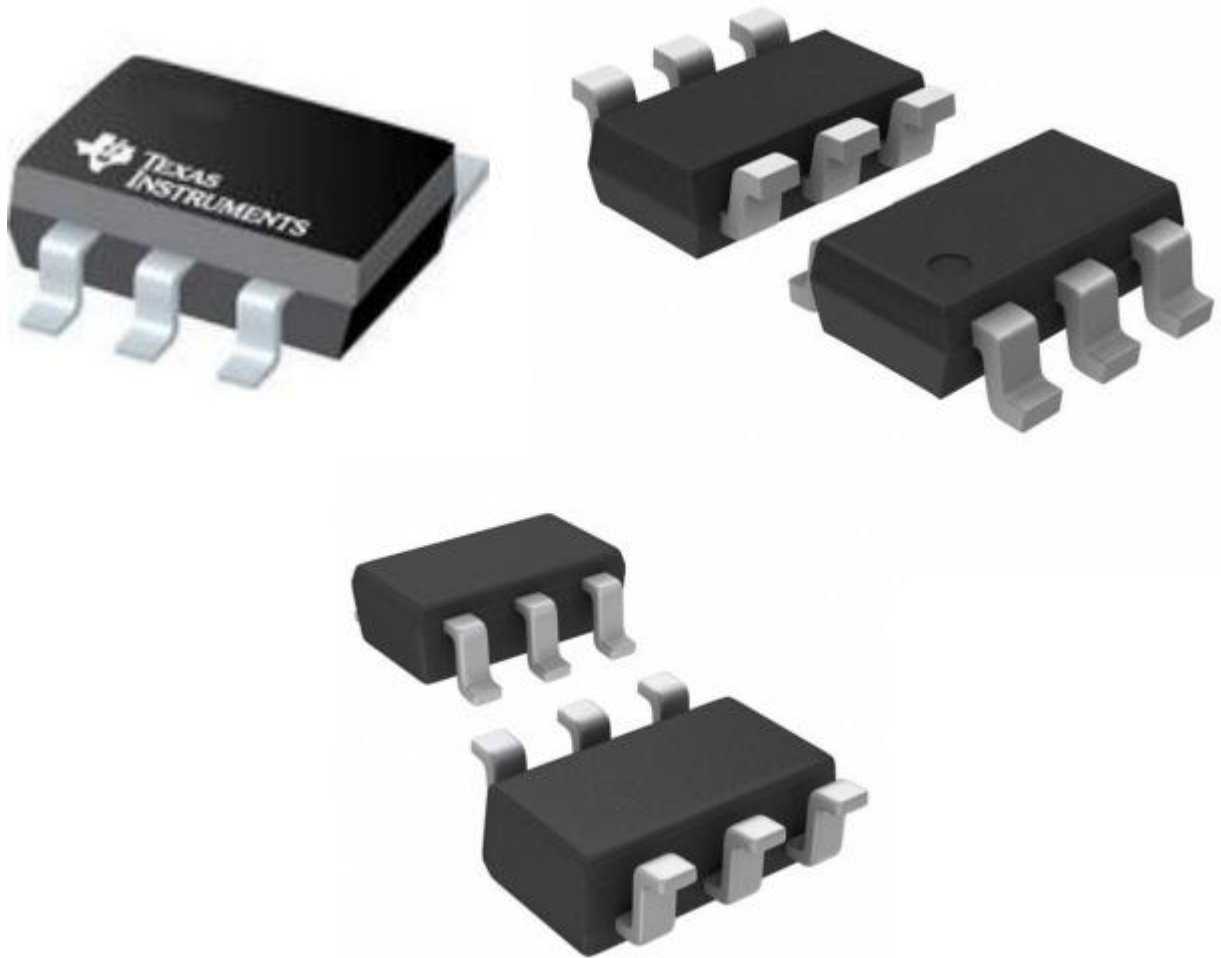
Product features

- Supply voltage range is 1.8V to 5.5V
- Current consumption is 35nA (typical) at 2.5V
- Optional meter interval: 100ms to 7200s
- Timer accuracy: 1% (typical).
- The time interval can be selected by the resistor
- Watchdog feature
- Manual reset

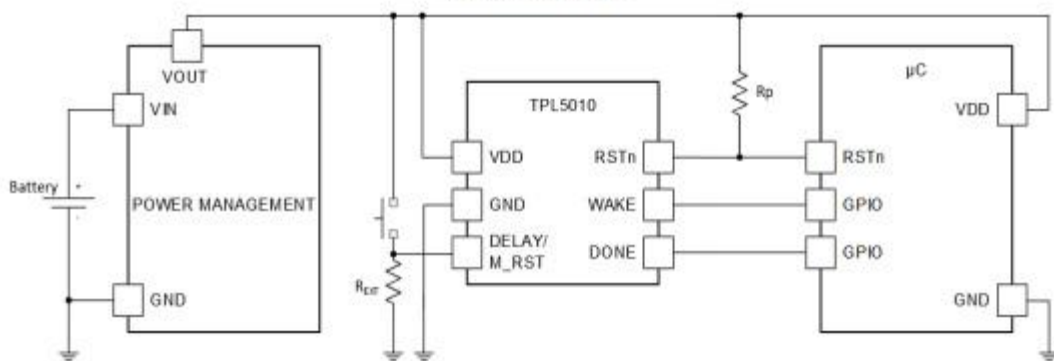
Product parameters

Technical parameters	Supply current	35nA
	Quiescent current	35.0nA
	Operating Temperature (Max)	105°C
	Operating Temperature(Min)	-40°C
	Supply voltage	1.8V-5V
	Number of pins	6
	encapsulation	SOT-23-6
	Packaging	Tape&Reel (TR)

Product images



简化应用电路原理图



FAQ

Q: Where is your company?

A: Our company is registered in Shenzhen, China.

Shenzhen Zhen Rong Era Supply Chain Management Co., Ltd.

Tel: +86-755-83240078

E-mail: jack-sellandbuycomponents@xt-shenzhen.cn

Phone: +86-13927462033

Q: How long do you need to give me a quote?

A: On weekdays, after receiving your information, a quote will be sent to you within the same day.

Q: How do you pack your goods?

A: Each of our shipments is vacuum vacuumed and packed. Make sure there is no damage during shipping.